

Price list

2018



Standard program

Magnetic holding devices

Dial test indicator holder

Selecting magnet

Demagnetizer

Holding and sticking magnets

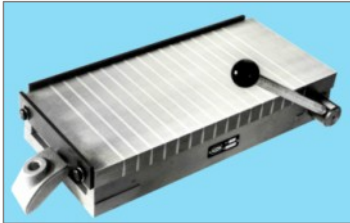
Rubber magnets

Conditions: All prices in CHF, excl. taxes, ex works Solothurn, payment within 30 days net

Delivery terms: The goods will usually be shipped within 1 to 2 weeks.
Possible delays will be reported.
All data subject to change

Price list

Magnetic holding devices



Magnetic face plates "PERMANENT"

with switching lever and 2 holding clamps

Art.No.	Designation	Type	Price
52.100.150.0	Magnetic face plate	JB 100 x 150	1'112.00
52.135.240.0	Magnetic face plate	JB 135 x 240	1'380.00
52.135.300.0	Magnetic face plate	JB 135 x 300	1'592.00
52.135.360.0	Magnetic face plate	JB 135 x 360	1'775.00
52.135.450.0	Magnetic face plate	JB 135 x 450	2'112.00
52.150.300.0	Magnetic face plate	JB 150 x 300	1'735.00
52.150.360.0	Magnetic face plate	JB 150 x 360	1'917.00
52.150.450.0	Magnetic face plate	JB 150 x 450	2'244.00



Magnetic chucks "PERMANENT"

with switching lever, without flange

Art.No.	Designation	Type	Price
50.100.000.0	Magnetic chuck	JB 100	562.00
50.100.000.1	Magnetic chuck	JB 100 with inset \varnothing 16 mm Ms	715.00
50.150.000.0	Magnetic chuck	JB 150	908.00
50.150.000.1	Magnetic chuck	JB 150 with inset \varnothing 20 mm Ms	1'046.00
50.200.000.0	Magnetic chuck	JB 200	1'700.00
50.250.000.0	Magnetic chuck	JB 250	2'410.00
50.300.000.0	Magnetic chuck	JB 300	3'170.00

Accessories for magnetic chucks JB 100 and JB 150

Flanges

Art.No.	Designation	Type	Price
50.100.200.0	Flange W20	\varnothing 100 mm	266.00
50.150.200.0	Flange W20	\varnothing 150 mm	430.00
50.100.250.0	Flange W25	\varnothing 100 mm	272.00
50.150.250.0	Flange W25	\varnothing 150 mm	444.00
50.199.000.0	Mounting onto magnetic chuck		232.00

Conditions:

All prices in CHF, excl. taxes, ex works Solothurn, payment within 30 days net

Delivery terms:

The goods will usually be shipped within 1 to 2 weeks.

Possible delays will be reported.

All data subject to change

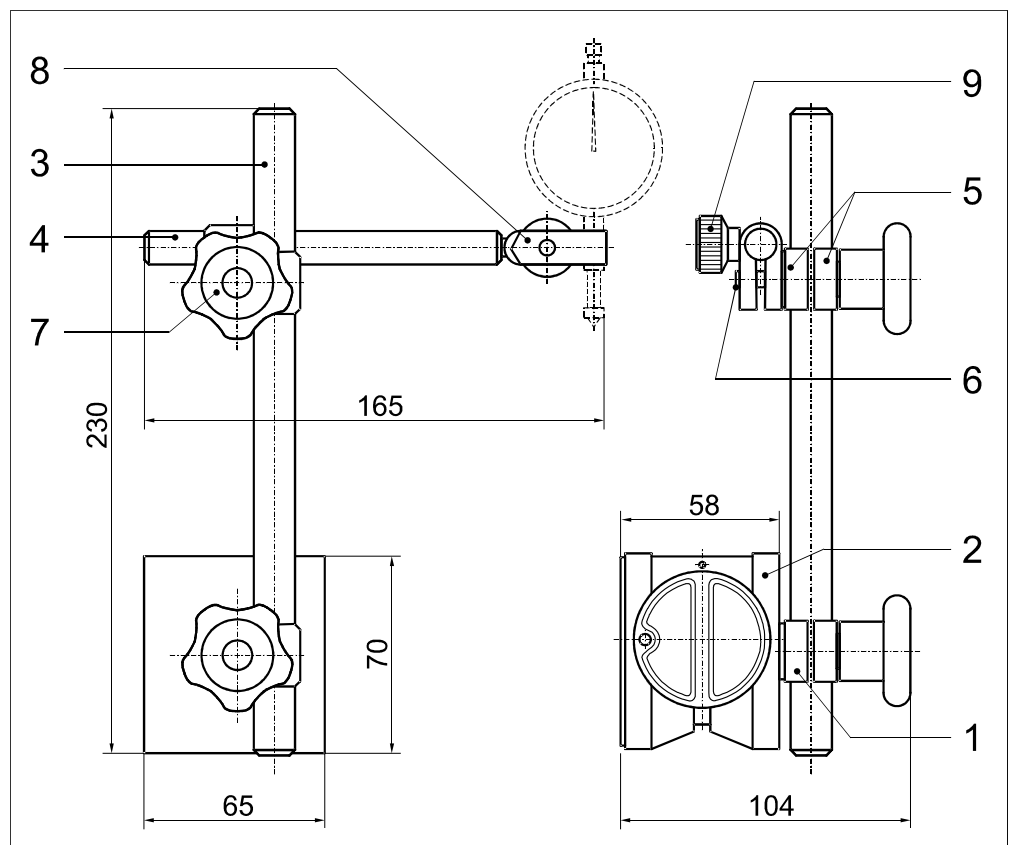
Magnetic dial test indicator holder "Magnet-Fix"



Art.No.	Designation	Price
51.01.00.000	Magnet- Fix type 5101 complete, without dial test indicator	362.00

Spare parts

No.	Art.No.	Designation	Price
1	51.01.10.000	Magnetic base incl. bolt and knob	246.00
2	51.01.19.000	Lower joint \varnothing 15 mm	26.70
3	51.01.14.000	Column \varnothing 15 x 230 mm	26.70
4	51.01.15.000	Column \varnothing 12 x 140 mm	23.35
5	51.01.40.000	Double joint \varnothing 12 / \varnothing 15, incl. items 6 and 7	71.00
6	51.01.27.000	Bolt for double joint	15.00
7	51.01.31.000	Knob	10.70
8	51.01.50.000	Fine adjustment incl. item 9	38.00
9	51.01.33.000	Knurled nut	8.00
-	51.01.60.000	Set of columns complete \varnothing 12 / \varnothing 15 mm consisting of items 3, 4, 5 and 8	154.00
-	51.01.99.000	Storage container (plastic)	33.00

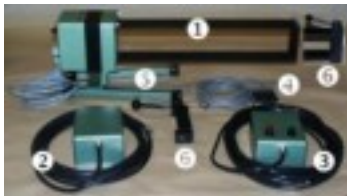


Selecting magnet BOHLI



Art.No.	Designation	Price
45.01.00.000	Selecting magnet BOHLI ø 70 x 365 mm	520.00

Demagnetizer 65 - EMS 150

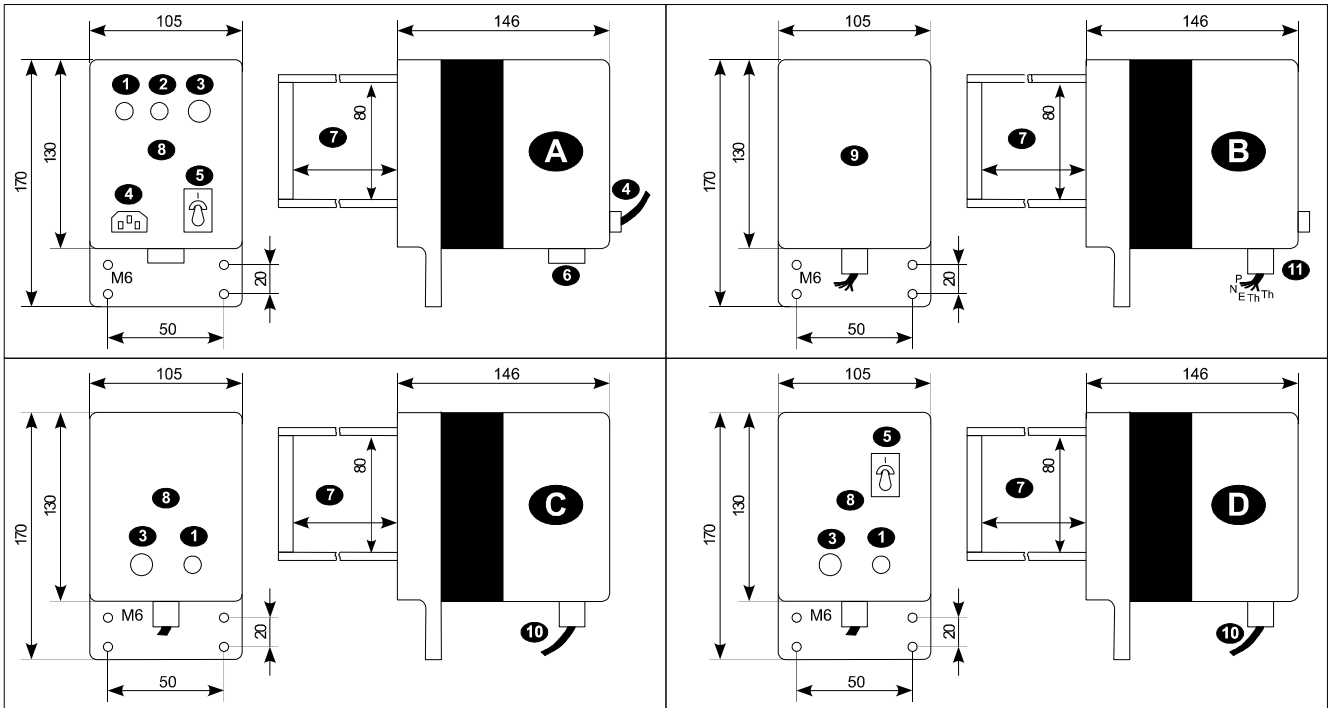


No.	Art.No.	Designation	Price
1	65.150.4500	Demagnetizer 65- EMS 150 Type A Standard width 80 x 450 mm, 230V/50Hz, Pilot lamp, on/off-switch, 2 fuses, cable 1.7 m to be plugged, built in thermo switch, connection for foot switch	3'000.00
2	65.150.4510	Demagnetizer 65- EMS 150 Type B Standard width 80 x 450 mm, 230V/50Hz, built in thermo switch, cable 5 m, TD 5x0.75, permanently wired,	2'820.00
3	65.150.4520	Demagnetizer 65- EMS 150 Type C Standard width 80 x 450 mm, 230V/50Hz, Pilot lamp, fuse, thermo switch, cable 8 m, TD 3x1, permanently wired,	2'870.00
	65.150.4530	Demagnetizer 65- EMS 150 Type C Standard width 80 x 450 mm, 230V/50Hz, Pilot lamp, fuse, on/off-switch, built in thermo switch, cable 8 m, TD 3x1, permanently wired,	2'912.00
4	65.150.0020	Foot switch for second level (only for type A)	180.00
5	65.150.0010	Pillar for demagnetizer	157.00
6		Quick action lock (for fast belt change)	
	65.150.2000	Standard height 80 mm	196.00
	66.150.2010	Special height	340.00
-	65.150.0xxx	Other width for standard height (type B to D)	430.00
	65.150.1xxx	Other width for special height (type B to D) xxx = width in mm, min. 180 mm, max. 1200 mm Special height: upon request	676.00

[Informations to the executions see next page](#)

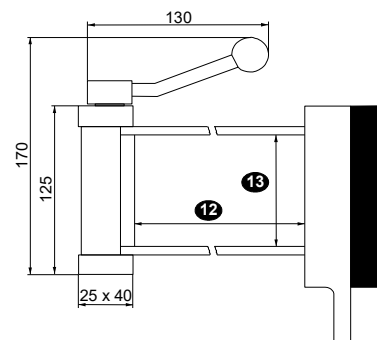
Demagnetizer 65 - EMS 150

Executions A to D and quick action lock



- 1 Fuse 1.25 A slow
- 2 Fuse 6.3 A slow only with foot switch and for short time, double field
- 3 Pilot lamp
- 4 Socket for cable 1.7 mt
- 5 ON/OFF switch
- 6 Connection for foot switch
- 7 Standard opening (height x width = 80 x 450 mm)
- 8 Built in thermo switch, wired
- 9 Rear surface without elements
- 10 Cable TD 3 x 1 mm² permanently wired
- 11 Cable TD 5 x 0.75 mm², permanently wired
- 12 Larger opening, width = 180 to 1200 mm
- 13 Higher opening: upon request

Quick action lock (for fast belt change) for standard height 80 mm



Holding magnets

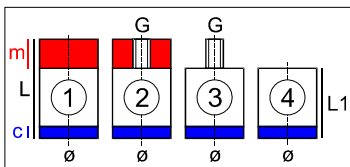


Holding magnets

Art.No.	∅	L	L1	G	c	m	Force	Price
							kg	per piece
54.08.v0.000	8	19	12	M4	1.5	7	1.2	12.40
54.10.v0.000	10	21	14	M4	1.5	7	1.8	14.40
54.12.v0.000	12	24	18	M5	2.0	6	3.0	16.40
54.15.v0.000	15	27	19	M5	2.0	8	4.5	22.60
54.20.v0.000	20	32	23	M5	3.0	9	9.0	32.80
54.25.v0.000	25	35	26	M6	3.0	9	15.0	47.20
54.30.v0.000	30	42	34	M8	4.0	8	20.0	62.00
54.40.v0.000	40	48	40	M8	4.0	8	30.0	72.00
54.50.v0.000	50	65	54	M10	5.0	11	60.0	164.00

v = Execution 1 / 2 / 3 / 4

Special executions on request



Possibilities of processing:

m: Area for fastening, e.g. bore, groove etc.

c: Area for simple contours



Sticking magnets "DISPO" ∅ 42 x 9 mm

Art.No.	Designation	Price per piece from	Price per piece	
			1 piece	10 pieces
54.42.01.OX0	Execution 1 (color code see below)		7.20	6.80
54.42.02.000	Execution 2 (galvanized)		6.60	6.20
54.42.03.000	Execution 3 (stainless)		7.20	6.80
54.42.04.000	Execution 4 (hammer cur yellow)		7.20	6.80

0

Planning magnets ∅ 30 mm

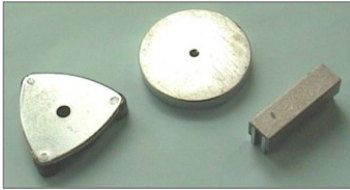
Art.No.	Designation	Price per piece from	Price per piece	
			1 piece	10 pieces
54.99.30.OY0	∅ 30 mm (color code see below)		1.60	1.40

Farbcode **X:** 1=white 2=blue 3=yellow 4=red 5=green

Farbcode **Y:** 1=white 2=blue 3=yellow 4=red 5=green 6=black 7=grey 8=orange

other colors and sizes: price and delivery on demand

Holding magnets / special types



Holding magnets / special types

No.	Art.No.	Designation		Price
1	54.60.00.000	Type 54.60	ø 60 x 11 mm with bore ø 4 mm	42.80
1	54.60.05.000	Type 54.60	ø 60 x 11 mm with thread M5	42.80
1	54.60.06.000	Type 54.60	ø 60 x 11 mm with thread M6	42.80
1	54.65.00.000	Type 54.65	ø 65 x 11 mm with bore ø 4 mm	45.00
1	54.65.05.000	Type 54.65	ø 65 x 11 mm with thread M5	45.00
1	54.65.06.000	Type 54.65	ø 65 x 11 mm with thread M6	45.00
2	54.45.30.000	Tripod magnet	ø 45 x 13 mm, bore ø 8 mm	31.00
2	54.45.30.100	Tripod magnet with tube holder	Ring magnet ø 45, height 80 mm	47.00
3	54.55.22.151	Magnet	55 x 22 x 15 mm, Aluminium cover	18.00

Sticking magnet non-slip 43 x 31 x 7 mm, thread M4 x 5 mm

Art.No.	Designation	Price
54.43.31.07.1	Sticking magnet, rubber-coated, black	22.60

Rubber magnets

Art.No.	Designation	Price
20.025.1500	One- sided self- adhesive 25 x 1.5 mm	23.00
20.050.1500	One- sided self- adhesive 50 x 1.5 mm	41.00
20.420.1500	One- sided self- adhesive 420 x 1.5 mm	111.00
20.420.1010	Raw 420 x 1 mm	73.60
20.420.2010	Raw 420 x 2 mm	112.00
20.420.1020	Vinyl coated white 420 x 1 mm	76.00

Bigger quantities: please ask for our quotation!